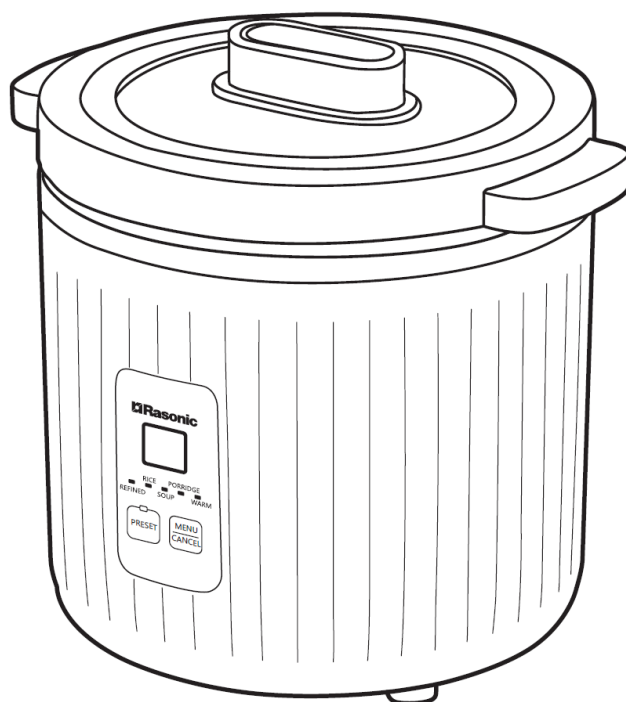




**RRC-T27W / RRC-T27B**

**Mini Rice Cooker**

迷你電飯煲



僅供家庭使用

For household use only

## 使用說明書

## OPERATION MANUAL

- 在使用本產品前，應仔細閱讀本說明書，閱讀後小心收藏，以備日後查閱。  
Read the operation manual carefully before using. Keep it in a safe place for future reference.
- 本說明書中的圖示可能與實物有不同的地方，僅供參考。  
Some figures in the manual may not match with the real object, just for reference only.



非常感謝您選購樂信牌迷你電飯煲，使用前應先詳細閱讀本說明書，並保存以備日後參考。

## 目錄

1. 安全注意事項
2. 清潔及儲存
3. 產品規格
4. 產品說明
5. 使用方法
6. 保溫功能
7. 故障排除
8. 特別聲明
9. 售後服務

## 1. 安全注意事項

使用本產品時，必須遵守下列安全措施：

1. 切勿讓小孩單獨使用、清潔及維修保養電飯煲或把其當作玩具。將電飯煲及其電線放於小孩不能觸及的地方。
2. 切勿讓電飯煲在無人看管下運作，以及沒有裝載內鍋或未放入食物的情況下操作本產品。
3. 為避免燙傷，使用時或剛使用後，切勿將臉或手靠近上蓋或蒸氣口；切勿觸摸剛使用後的發熱板及內鍋，因仍有餘熱。
4. 切勿把機身、電源線或連接器插頭浸入水中；或被水濺濕，以免造成觸電及火災。
5. 為免危險，須按照此說明書建議方法使用，切勿在室外使用或作其他用途。如錯誤操作，可造成傷害。
6. 使用前，確保電源線兩端的插頭已分別插穩在電飯煲及電源插座上。
7. 手濕時切勿接觸、插入或拔除插頭，否則可構成觸電的危險。
8. 本產品只可作家庭或類似環境使用，如商店內部、辦事處和其他工作環境的員工廚房區域；農舍；在酒店、汽車旅館以及其他居住環境中供客人使用；在提供住宿及早餐的類型環境中使用。
9. 切勿使用有殘缺或鬆動的插座。使用前，確保插頭已充分擦乾。
10. 切勿擅自改裝電飯煲或使用非生產商提供的零件進行修理，否則可造成危險及維修保養無效。
11. 此電飯煲可供年齡在 8 歲或以上的兒童及體質、感覺或智力有障礙人士或缺乏經驗和相關知識的人士使用，但他們必須接受負責安全人士的監督或指導如何安全地使用電飯煲和理解所涉及的危險。
12. 使用時，切勿用任何物件覆蓋電飯煲表面或遮擋蒸氣口，以免造成電飯煲故障、變形或變色。
13. 經常檢查電飯煲、陶瓷內鍋、電源線及插頭，如有損壞，為避免危險，應立即停止使用，並聯絡信興電器服務中心有限公司安排檢查及維修。
14. 切勿使用其他器皿來取代原裝陶瓷內鍋。
15. 使用前，確定陶瓷內鍋外部及發熱板表面清潔乾爽，否則可能引致故障。
16. 切勿用火加熱陶瓷內鍋，並切勿使燉盅承受太大的溫度變化（例如，將熱陶瓷內鍋放在大理石表面或放入冷水中等）否則陶瓷內鍋可能會因熱脹冷縮而破裂。
17. 煮食份量不可超過內鍋內最高水位線，否則可能有水從蒸氣口噴出。
18. 切勿在電源線纏結的情況下使用或將電源線懸掛在桌子、櫥櫃的邊緣或讓它接觸灼熱的表面，否則會損壞電源線。
19. 使用後，須從電源插座拔出插頭及待電飯煲冷卻後才移動、清潔或檢查電飯煲。
20. 使用時，切勿打開上蓋、移動或搖晃電飯煲，以免造成危險。
21. 切勿使用內鍋直接淘米，以免損害內鍋表面的塗層，影響烹調效果。
22. 切勿用內鍋烹調酸性或鹼性的食物，以免損壞內鍋塗層。

23. 在插入或拔除插頭時，應用手握穩插頭本身，不要抓住電源線。
24. 切勿在以下環境使用電飯煲：
  - 潮濕或近水的環境
  - 靠近熱源如電焗爐、電磁爐及火源
  - 不平穩的表面上
  - 易燃物料或不耐熱物品附近(如枱布、窗簾及毛巾等)
25. 不可在電源線上放重物、夾住、改裝、用力拉扯或扭曲電源線。
26. 產品在運作時或完成運作後，切勿直接觸碰陶瓷內鍋，以防止燙傷。
27. 請依照使用說明放入適量的米和水並正確選擇功能。以免米水溢出、半生不熟、焦米、煮干、燒焦等現象，嚴重時將會影響陶瓷內鍋的使用壽命。
28. 插入電源線時，必須插到底，以確保接觸良好。
29. 應該常保持電源線插頭和插座的乾爽，禁止用濕手插拔電源線插頭。
30. 在產品工作過程中按[功能/取消]鍵將回到待機狀態，此時再重新啟動功能，內鍋中的食物可能因多次加熱而導致燒焦或出現其他異常現象，在日常使用中避免此類操作。
31. 若中途斷電，再次通電時，產品將回到待機狀態，需要重新設置，才能繼續工作。
32. 加開水煮飯/煮粥並不能縮短煮食時間，只會使飯粒夾生或煮更爛，須注意使用。
33. 第一次使用產品時，可能有輕微異味，顯示屏在剛通電時，可能顯示閃爍，請拔下插頭重新通電。以上兩種情況屬正常現象，可放心使用。
34. 陶瓷內鍋及玻璃上蓋為易碎材質，慎防與硬物碰撞及從高處跌落，造成破碎損壞。
35. 使用前，確定內鍋外部及產品內部表面清潔乾爽，否則可能引致故障。
36. 確保上蓋蓋緊，避免因密封不良而影響煮食效果，同時避免發生故障及其他事故。
37. 取出陶瓷內鍋前，務必先將電源線插頭拔掉。
38. 煮飯功能(RICE)最高水位為一杯米，精煮功能(REFINED)最高水位為一杯半米，煮粥功能(PORRIDGE)水位請不要超過陶瓷內鍋標示的1/4水位，以防止出現溢鍋。
39. 切勿注水於發熱盤，使用前留意陶瓷內鍋外側(尤其是底部)和電飯煲內側(尤其是發熱盤)確保表面無水珠或其他雜物，並確保陶瓷內鍋與發熱盤接觸良好。

## 2. 清潔及儲存

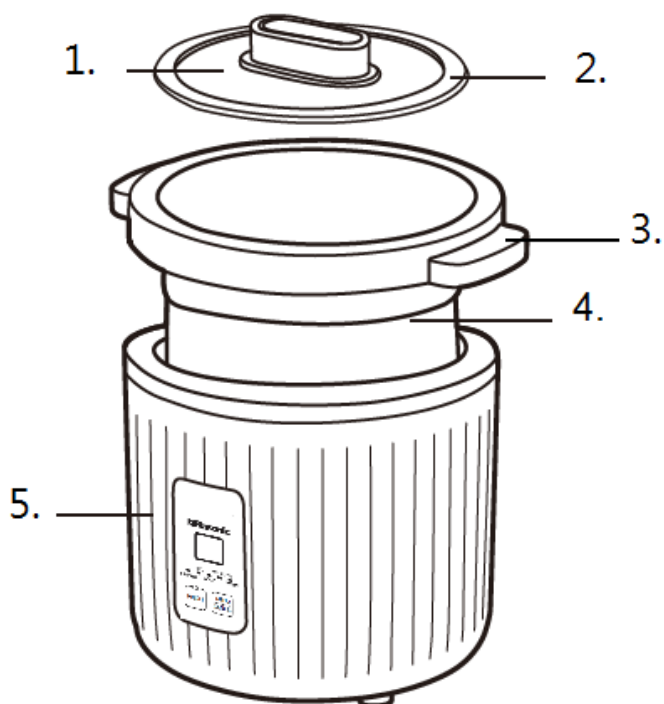
1. 清潔前，必須拔除電源插頭，並待電飯煲完全冷卻。
2. 清洗內鍋和上蓋時，應使用海綿等軟性物料及清潔劑，用水沖洗後再抹乾及裝回原位。
3. 如有食物黏在內鍋，清洗前可先用水浸泡一會。
4. 如發熱板、機身或上蓋有污穢，可用濕布抹淨後再抹乾。
5. 為免損壞內鍋塗層，盛飯時須使用原裝飯勺，切勿使用金屬餐具或在內鍋中切割食物。
6. 切勿使用有毒或含腐蝕性的清潔劑或粗硬的潔具(如鋼絲刷)清潔。
7. 長時間使用後，內鍋表面可能會變色，此乃正常現象並不會影響食物安全及內鍋的使用。
8. 儲存時，將電飯煲放入紙箱並放置在乾爽的環境中。
9. 儲存時，切勿將電源線纏繞在電飯煲四周或壓住電源線，以免造成電源線損壞。
10. 使用產品後應及時清洗，防止一些污垢緊緊地附著在產品或配件表面而難以去除。
11. 切勿將產品主機浸水或用水淋洗，可用柔軟的濕布擦拭。
12. 陶瓷內鍋適宜用乾淨軟布或毛巾擦拭、清洗過程中請勿使用硬質鋼絲擦拭。
13. 長時間不使用產品時；在清潔擦拭後，裝入包裝箱中，存放於通風乾燥的地方，以免受潮，影響使用。

## 3. 產品規格

型號	RRC-T27W	RRC-T27B
顏色	象牙白	黑色
額定電壓	220 伏特-240 伏特～ 50 赫茲/60 赫茲	
額定功率	300 瓦-357 瓦	
容量(約)	0.27 公升	
淨重(約)	1.6 公斤	
產品尺寸 (闊 x 深 x 高)(約)	201 x 172 x 193 毫米	

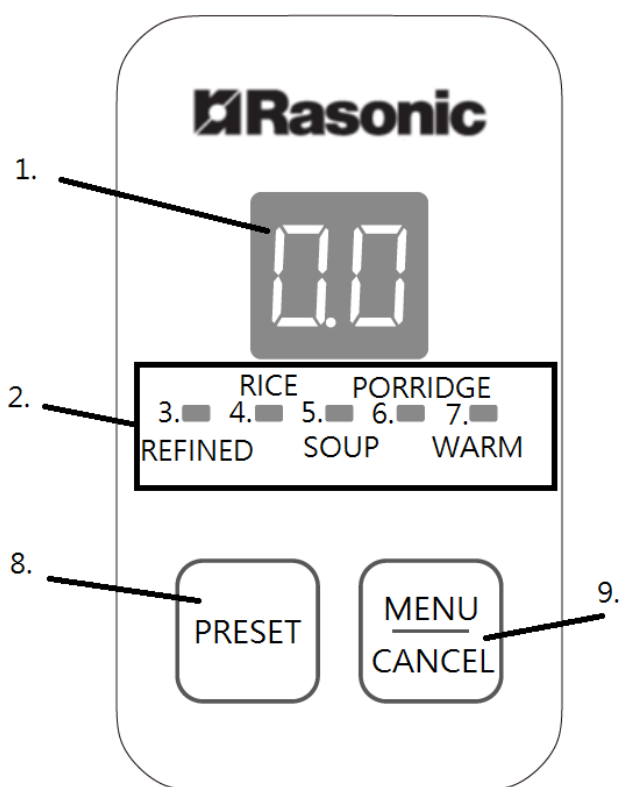
#### 4. 產品說明

1. 玻璃蓋
2. 蓋密封圈
3. 陶瓷內鍋提手
4. 陶瓷內鍋
5. 主機



#### 數碼面板

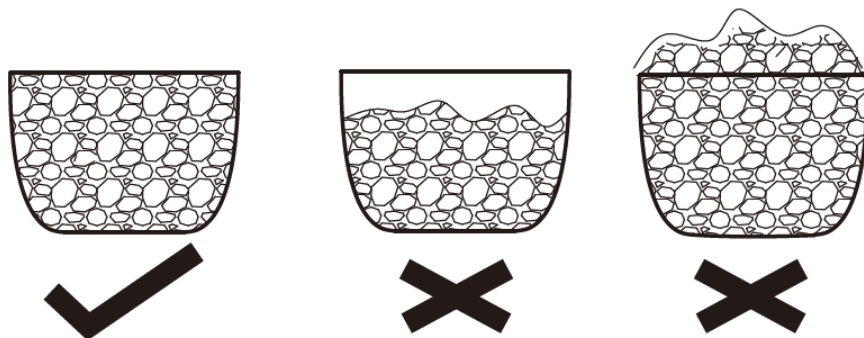
1. 顯示屏
2. 功能指示燈
3. 精煮指示燈 (REFINED)
4. 煮飯指示燈 (RICE)
5. 煲湯指示燈 (SOUP)
6. 煲粥指示燈 (PORRIDGE)
7. 保溫指示燈 (WARM)
8. 預約按鍵 (PRESET)
9. 功能 / 取消鍵 (MENU/CANCEL)



## 5. 使用方法

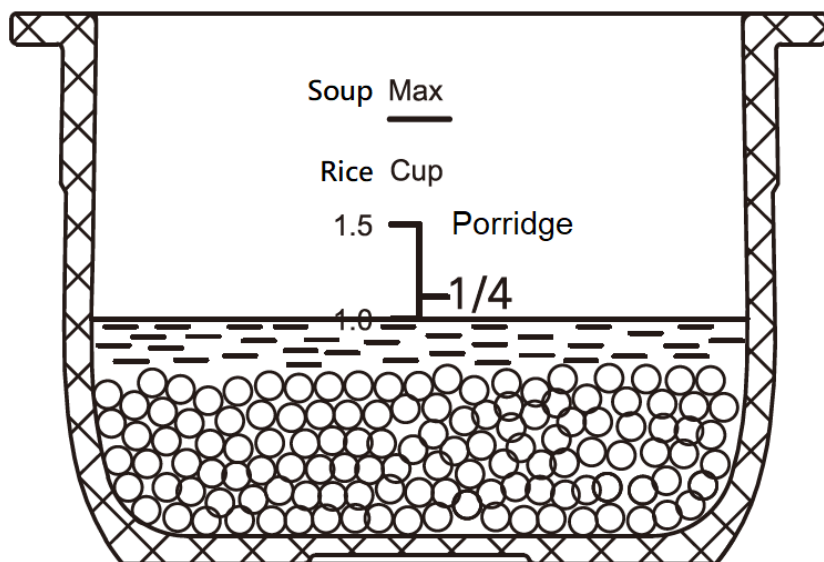
### 5.1 取米和水量調整說明:

1. 使用本產品所附量杯正確量米，如下圖:



2. 將米洗淨後放入陶瓷內鍋中，根據所選功能，參照內鍋水位線，加入相應水量的水。如下圖。

例子:在煮食時選用煮飯功能(RICE)，建議不超過水位刻度線 “Rice” 1.0 杯。



### 注意:

- 1.不要使用陶瓷內鍋洗米，或用鋼絲球等硬物清潔內鍋，以免損傷陶瓷內鍋的不粘效果；
- 2.當選擇精煮功能(REFINED)時，建議不超過水位刻度線 “Rice” 1.5 杯。
- 3.當選擇煮飯功能(RICE)時，建議不超過水位刻度線 “Rice” 1.0 杯。
- 4.當選擇煮粥功能(PORRIDGE)時，建議不超過水位刻度線 “Porridge” 1/4 杯。
- 5.當選擇煲湯功能(SOUP)時，建議不超過水位刻度線 “Soup” MAX 最大容量。



## 5.2 功能操作

1. 插入電源，數碼顯示屏顯示(0.0)，待機狀態下，直接按「功能/取消」鍵，功能指示燈會亮起及顯示屏功能默認時間顯示如下: 精煮(一.一) → 煮飯(一.一) → 煲湯(1.5) → 煮粥(1.2) → 保溫(一.一) → 待機(0.0)，如此循環；選定功能 6 秒鐘，功能指示燈常亮，產品開始工作。
2. 預約操作: 待機狀態下，先按「預約」鍵，預約指示燈閃亮，數碼顯示屏顯示默認預約時間「2.0」，如需調整預約時間，可再繼續按「預約」鍵調整，每按一下時間遞增，然後按「功能/取消」鍵選擇所需功能，選定功能 6 秒後，預約指示燈和所選功能指示燈同時常亮，產品開始工作。(預約所設置的時間即烹飪的完成時間，由於米量、水量和環境溫度的差異，完成時間可能存在少許偏差)。
3. 保溫操作: 按「功能/取消」鍵至保溫指示燈閃亮，6 秒後，保溫指示燈常亮。
4. 取消操作: 在任何工作過程中，按「功能/取消」鍵，產品停止工作並回到待機狀態。

## 5.3 功能默認時間如下表:

各功能的烹調容量及時間如下圖示：

烹調功能	烹調最多份量 (米量 / 水量)	預計運行時間 (約)	可調節時間 範圍	保溫時間(約)
精煮 (REFINED)	1.5 杯 RICE 刻度線	41-55 分鐘	不可調	12 小時
煮飯 (RICE)	1 杯 RICE 刻度線	35-45 分鐘	不可調	12 小時
煲湯 (SOUP)	MAX 刻度線	1 小時 30 分鐘 (1.5)	不可調	12 小時
煲粥 (PORRIDGE)	1/4 杯 PORRIDGE 刻 度線	1 小時 12 分鐘 (1.2)	不可調	12 小時
保溫 (WARM)	MAX 刻度線	不可調	不可調	12 小時
預約功能 (PRESET)	--	--	2-12 小時	

### 注意:

1. 功能的實際時間會根據米量、水量、電壓、室溫、水溫及米質的不同而變化。
2. 米飯的軟硬會因米量、水量及米質的不同而影響，並有可能形成鍋巴。
3. 用戶可按個人喜好適量地調節水量。
4. 根據各種食材的特性，設定合適的預約時間。建議預約時間不宜過長，否則可能導致食材變質。

## 6. 保溫功能

1. 保溫操作: 按「功能/取消」鍵至保溫指示燈閃亮,6 秒後,保溫指示燈常亮,產品開始工作,顯示屏從「0.0」開始計時。
2. 保溫時,偶爾將米飯翻鬆及關上上蓋,以免米飯變乾及結塊。
3. 保溫最長為 12 小時,之後電飯煲會自動轉為待機狀態。
4. 切勿將米飯或食物過長保溫時間,否則會產生鍋巴、異味或食物變質。
5. 如取消保溫功能,可在保溫狀態下按「功能/取消」鍵。

## 7. 故障排除

故障現象	成因	排除方法
顯示屏不著	電源線插頭沒有插好	將電源線插頭重新插入到位
飯、粥煮不熟	加水量太少	調整加水量
	陶瓷內鍋底部污穢或有異物	用濕布清潔乾淨
	上蓋未蓋緊	將上蓋蓋緊
	產品故障	請聯絡 信興電器服務中心有限公司進行檢查及維修
煮飯、煮粥底部燒焦	加水量太少	調整加水量
	電壓太高	使用家用穩定電源
	陶瓷內鍋底部污穢或有異物	用濕布清潔乾淨
煮飯、煮粥時溢出	加水加米量太多	避免高於功能的最高水位刻度線
功能失靈	電源被干擾	拔除電源線插頭 20 秒後,再重新通電
顯示屏出現 E1、E2	產品故障	請聯絡 信興電器服務中心有限公司進行檢查及維修
顯示屏出現 E3	陶瓷內鍋內沒有水在乾燒	等陶瓷內鍋冷卻後,加入食物和水再進行煮食
	產品故障	請聯絡 信興電器服務中心有限公司進行檢查及維修

## 8. 特別聲明

1. 本說明書的內容經過核對，如有任何印刷錯誤及內容上的誤解，本公司將保留解釋權。
2. 本產品若有技術改進，會編進新版說明書中，恕不另行通知；產品外觀及規格以廠方生產資料為準。
3. 如本資料之中英文版本有差異時，應以中文版為準。
4. 使用說明書的電子副本可以經電子郵件發送至用戶，如有需要，可致電**信興電工工程有限公司**：2861 2767。

## 9. 售後服務

1. 由購買收據日期起之一年保修期內，經**信興電器服務中心有限公司**之服務人員證實產品故障屬於正常使用之情況下發生者，本公司將提供免費維修或更換零件服務。經更換之任何損壞零件，將歸屬本公司所有。保修範圍不包括修理或更換產品之損耗性零件等。
2. 用戶必須於維修時出示購買收據／換購收據及蓋有銷售點／換購中心印章的產品保修記錄卡。如有任何疑問，請致電**信興電器服務中心有限公司**熱線：2406 5666 查詢。

Thank you for choosing Rasonic Mini Rice Cooker. Read the manual carefully before using and well keep it for future reference.

## **Table of Contents**

1. Important Safeguards
2. Cleaning and Storage
3. Product Specifications
4. Product Description
5. Operation Instructions
6. Keep Warm Function
7. Troubleshooting
8. Special Avowal
9. After Sales Service

# **1. Important Safeguards**

When using the appliance, please follow the below safety precautions:

1. Never allow children to operate, clean, perform maintenance on the appliance alone or play as toy. Put the appliance and its power cord in a place not reachable by children.
2. Never leave the appliance unattended when in use, don't or operate without inner pot or food inside.
3. To avoid burns, do not get your face or hands close to the lid or steam outlet during use or right after use; never touch the heating plate and inner pot which are subject to residual heat right after use.
4. Never immerse the main body, power cord or adaptor plug in water or let them wet, it can cause electric shock or fire.
5. To avoid danger, use the appliance according to the operation manual. Do not use it outdoors or other purpose. Misuse can cause injury.
6. Before use, please make sure both ends of the power cord are plugged in tightly on the appliance and the power socket.
7. Do not touch, plug in or remove the plug with wet hands, it can cause electric shock.

8. The appliance is intended to be used in household or similar applications such as staff kitchen in shops, offices and other working environments; farm houses; by clients in hotels; motels; other residential type environments; bed and breakfast type environments.
9. Do not use deficient or loosen socket. Make sure the plug is dry before use.
10. Do not attempt to modify the appliance by yourself or repair with any unauthorized parts, otherwise it will cause hazards and warranty will become invalid.
11. The appliance can be used by children aged from 8 years and above and persons with reduced physical, sensory or mental capabilities, or lack of experience and knowledge, if they have given supervision or instruction concerning use of the appliance in a safe way and understand the hazards involved.
12. When in use, do not cover the appliance surface or steam vent with any objects to avoid appliance malfunction, deformation or discoloration.
13. Always check the condition of rice cooker, ceramic inner pot, power cord and plug. To avoid hazard, stop using the appliance immediately and contact **Shun Hing Electric Service Centre Limited** for checking and repairing if any of the parts is damaged.
14. Do not use other container to substitute the original ceramic inner pot.

15. Make sure the ceramic inner pot outer surface and heating plate are clean and dry before use, otherwise it may cause malfunction.
16. Do not heat the ceramic inner pot with fire and do not let the ceramic inner pot withstand big temperature difference. (For example, put the hot inner pot on a marble surface or into cold water, etc.) otherwise the ceramic inner pot may crack because of thermal expansion and contraction.
17. The cooking amount cannot exceed the maximum water level of the inner pot to prevent water from spilling from the steam vent.
18. Do not operate the appliance when the power cord is tangle or hang the power cord over the edge of table, counter-top or let it touch any hot surface, it may cause power cord damage.
19. After use, please remove the plug and let the appliance cool down before moving, cleaning or checking.
20. Do not open the lid, move or shake the appliance when in use, it can cause danger.
21. Do not wash rice directly inside the inner pot to avoid scratching the coating and affect the cooking results.
22. Do not cook acidic or alkaline food in the inner pot to avoid damage on the inner pot coating.
23. Grasp the plug itself when plug in or unplug the appliance, do not grasp the power cord.

24. Do not operate the appliance in the following places:
- Humid environment or near water
  - Near heat sources such as electric oven, induction cooker and fire
  - Unstable surface
  - Near inflammable or non-resistant to heat objects (e.g. table cloth, curtain and towel etc.)
25. Do not place heavy objects on the power cord. Never clip, modify, stretch or twist the power cord.
26. Do not directly touch the ceramic inner pot while the appliance is cooking or after use to prevent burns.
27. Please put in correct amount of rice and water and select functions correctly according to the operating instructions. So as to avoid overflow of rice water, half-cooked rice, scorched rice, boil-dry, burnt, etc. In serious cases, it will affect the service life of the ceramic inner pot.
28. Insert the power plug and instrument plug firmly.
29. Do not touch the appliance, plug or unplug the power cord by wet hand.
30. If you press the "MENU/CANCEL" button during operation, it will return to the standby state. At this time, the function will be restarted. The food in the inner pot may be burned or have other abnormal phenomena due to repeated heating. Please Avoid such operations during use.



31. If the power is cut off midway, the appliance will return to standby mode and needs to be reset before it can continue to work.
32. Do not cook with hot water, it will affect the thermostat operation and the rice texture.
33. When the appliance is used for the first time, there may be a slight smell. The display may flash when the power is first turned on. Unplug the appliance and power it on again. The above two situations are normal, please feel free to use them.
34. The ceramic inner pot and glass cover are made of fragile materials, be careful and prevent it from crashing with other hard objects or falling down from a high place.
35. Make sure the ceramic inner pot outer surface and heating plate are clean and dry before use, otherwise it may cause malfunction.
36. Ensure close the lid, avoid open lid to affect rice texture and to avoid malfunctions and other accidents.
37. Before taking out the ceramic inner pot, be sure to unplug the power cord.

38. The maximum water level for the RICE cooking function should be one cup of rice, and the maximum water level for the REFINED function should be 1.5 cup of rice. The porridge water level should not exceed the 1/4 water level marked on the ceramic inner pot to prevent overflow.
39. Do not pour water into the heating plate. Before use, pay attention to the outside of the ceramic inner pot (especially the bottom) and the inside of the rice cooker (especially the heating plate) to ensure that there are no water beads or other debris on the surface, and make sure that the ceramic inner pot is in good contact with the heating plate.

## **2. Cleaning and Storage**

1. Before cleaning, unplug and let the rice cooker cool down completely.
2. When clean the ceramic inner pot and lid, please use soft material such as sponge and mild detergent. Rinse with water and rub them dry. Put them in place after cleaned.
3. If food residual sticks on the inner pot, please soak the inner pot with water for a while before cleaning.

4. If dirt is attached on the heating plate, main body or lid, use a damp cloth to clean and wipe them dry.
5. To avoid damage on the inner pot coating, please use original rice scoop when serving rice, never use metal utensils or cut food in the inner pot.
6. Never use poisonous or corrosive detergent or harsh tools (e.g. metal-wired brush) for cleaning.
7. The color of inner pot may change after using a period of time, however it does not affect the food hygiene and function of the inner pot.
8. When store, put the appliance in a box and store in a dry place.
9. When store, never wrap the power cord around the appliance or clip the power cord to prevent power cord damage.
10. Clean the appliance in time after use to prevent some dirt from tightly adhering to the surface of the appliance or accessories and making it difficult to remove.
11. Do not rinse or immerse the main unit in any liquid. Clean it with a soft damp cloth.

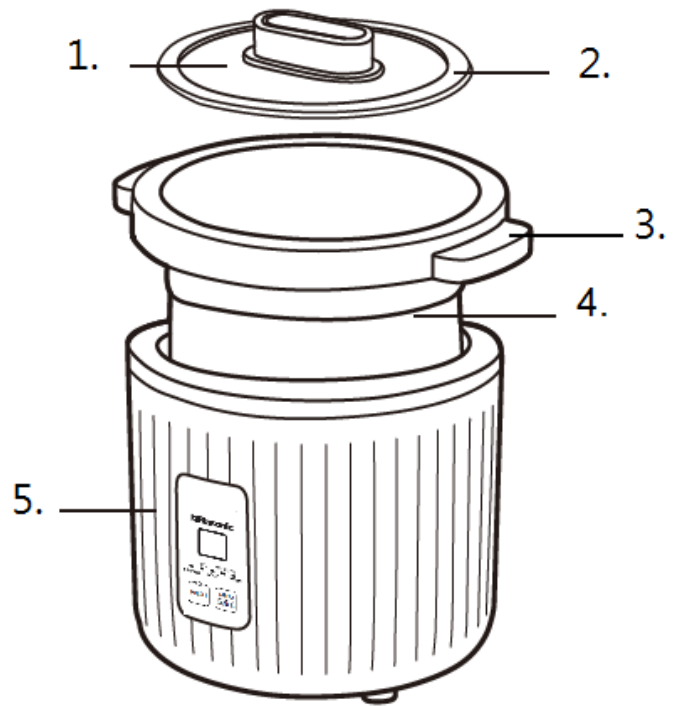
12. The ceramic inner pot should be clean with a soft cloth or towel. Do not use hard steel wire to wipe it during cleaning.
13. When the appliance is not used for a long time, please clean it and wipe it before putting it into the packaging box. It should be stored in a ventilated and dry place to avoid moisture and affecting its use.

### 3. Product Specification

Model	RRC-T27W	RRC-T27B
Color	Ivory White	Black
Rated Voltage	220V-240V~ 50 Hz /60 Hz	
Rated Power	300W-357W	
Capacity (Approx.)	0.27L	
Net Weight (Approx.)	1.6kg	
Product Size (W x D x H) (Approx.)	201 x 172 x 193 mm	

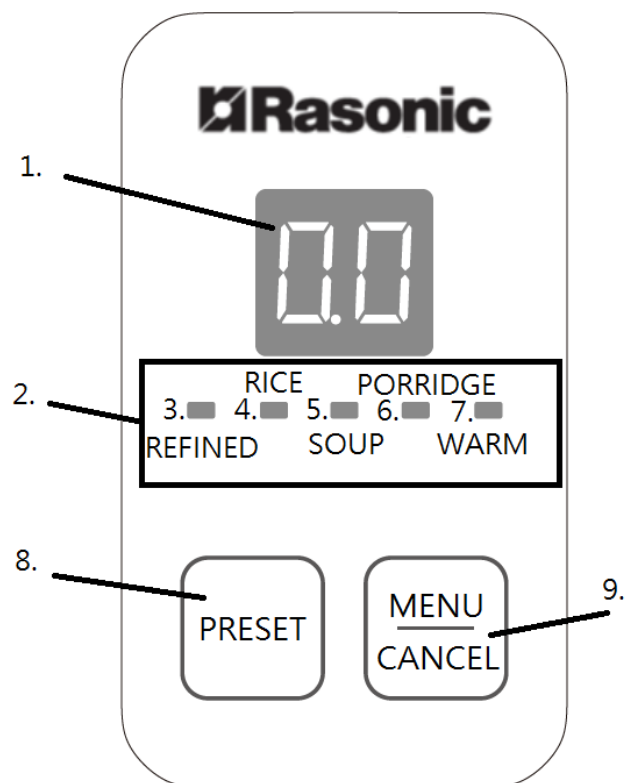
## 4. Product Description

1. Glass Lid
2. Lid sealing ring
3. Ceramic inner pot handle
4. Ceramic inner pot
5. Main unit



## Control Panel

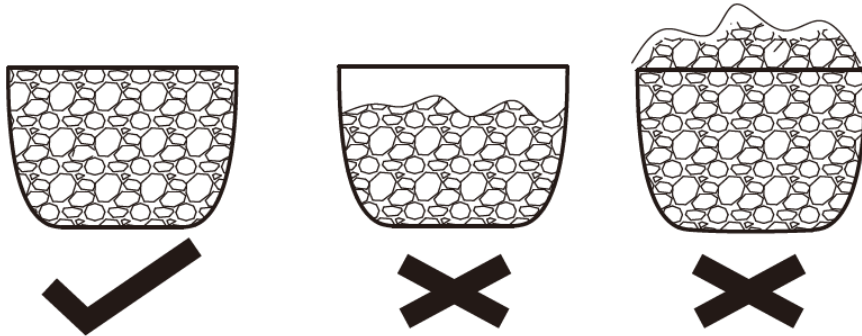
1. Display screen
2. Function indicator light
3. REFINED indicator light
4. RICE indicator light
5. SOUP indicator light
6. PORRIDGE indicator light
7. WARM indicator light
8. Preset button
9. MENU/CANCEL button



## 5. Operation Instructions

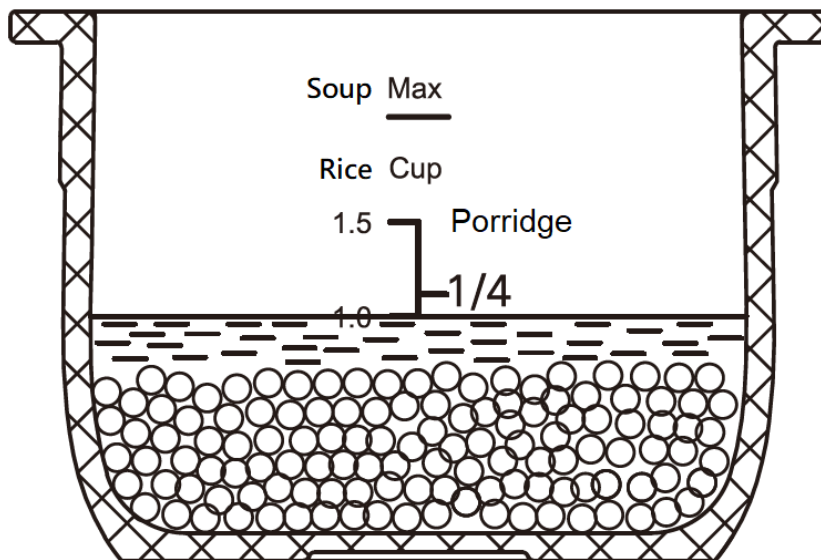
### 5.1 Adjusting the amount of rice and water

1. Using the original measuring cup correctly. Reference below picture.



2. Put the rinsed rice in the inner pot. According to your selecting function, refer of the inner pot water level, input water equally the water level

Example: When the "RICE" function is used, it is recommended not to exceed the water level mark "Rice" by 1.0 cup.



#### Caution:

1. Do not wash rice directly inside the ceramic inner pot, or use steel balls and other hard objects to wash the pot to avoid damaging the non-stick effect of the ceramic inner pot;
2. When selecting the "REFINED" function, it is recommended not to exceed the water level mark "Rice" by 1.5 cups.

3. When selecting the "RICE" function, it is recommended not to exceed the water level mark "Rice" by 1.0 cups.
4. When selecting the "PORRIDGE" function, it is recommended not to exceed the water level mark " Porridge 1/4.
5. When selecting the "SOUP " function, it is recommended not to exceed the water level mark " Soup Max".

## **5.2 Operation:**

1. Connect the plugs, the display screen shows (0 . 0), it is in the stand-by status. Press "MENU/CANCEL" button to select function. Function indicator light on and display screen will show the cooking time after pressed the function button. The displayed as follow: REFINED(—.—) → RICE(—.—) → SOUP (1 . 5) → PORRIDGE (1 . 2) → WARM(—.—) → Stand-by status(0 . 0) , This cycle continues; the function is choosing for 6 seconds, the function indicator light is always on, and the product starts to work.
2. Preset Function: In the standby state, first press the "PRESET" button, the preset indicator light will flash, and the screen will show the default reservation time "2.0". If need to adjust the reservation time, you can continue to press the "Preset " button to adjust, and the time will increase each time you press it. Then press the "MENU/CANCEL" button to choice the desired function. Six seconds after choose the function, the reservation indicator light and the selected function indicator light will stay on at the same time, and the product starts to work. (The time set in the reservation is the completion time of cooking. Due to differences in the amount of rice, water and ambient temperature, there may be a slight deviation in the completion time).
3. Keep warm operation: Press the "MENU/CANCEL" button until the keep warm indicator light flashes. After 6 seconds, the keep warm indicator light stays on.
4. Function cancel operation: When operating any function, you can press "MENU/CANCEL" button to cancel and return to stand-by status.

### 5.3 The cooking amount and time of each function

Function	Max. amount of cooking (Approx.)	Cooking time (Approx.)	Adjustable time range	Keep Warm (Approx.)
REFINED	1.5 Cup of "Rice" water level	41-55mins	N/A	12hours
RICE	1 Cup of "Rice" water level	35-45mins	N/A	12hours
SOUP	MAX water level	1hour 30mins (1 . 5)	N/A	12hours
PORRIDGE	1/4 cup of "Porridge" water level	1hour 12mins (1 . 2)	N/A	12hours
WARM	--	N/A	N/A	12hours
PRESET	--	--	2-12hours	

#### CAUTION:

1. The actual rice cooking time is varied with different rice quantity, water amount, voltage, room temperature, water temperature and rice quality.
2. The rice texture is affected by different rice quantity, water amount and rice quality which are even possible to form crust.
3. The water amount can be adjusted accordingly to personal preference on the rice texture.
4. At according the food based on the characteristics of various ingredients. It is recommended that the reservation time should not be too long, otherwise the food may deteriorate.

### 6. Keep warm function

1. In the standby status, press "MENU/CANCEL" button to activate the "WARM" function, the warm indicator light will be flashing 6 seconds and after keep on. The display screen will show the accumulated keep-warm time start from (0 . 0).
2. During keep warm, please scarify the rice occasionally and close the lid. It is to avoid the rice becomes dry and clamp.
3. The maximum keep-warm time is 12 hours, after the rice cooker will then turn to standby status automatically.
4. Do not keep warm the rice or food for too long, otherwise it may have crust, bad smell or deterioration.
5. Press "MENU/CANCEL" button under the "WARM" status to cancel the keep warm function.



## 7. Troubleshooting

Problem	Cause	Solution
The display is not on	The power cord plug is not plugged in properly	Reinsert the power cord plug into place
Rice and porridge are not cooked properly	Adding too little water	Adjust the amount of water added
	The bottom of the ceramic inner pot is dirty or has foreign matter	Clean with damp cloth
	The lid is not tightly closed	Close the upper cover tightly
	Appliance malfunction	Please contact <b>Shun Hing Electric Service Centre Ltd.</b> for Checking and repairing.
Burnt bottom when cooking rice or porridge	Too little water is added	Adjust the amount of water added
	Power voltage too high	Use a stable household power supply
	Ceramic inner pot dirty	Clean with damp cloth
Overflow when cooking rice or porridge	Adding too much water and rice	Avoid going above the maximum water level of select function
Function failure	Power supply is disturbed	Unplug the power cord for 20 seconds and then power it on again
Display screen shows E1, E2	Appliance malfunction	Please contact <b>Shun Hing Electric Service Centre Ltd.</b> for Checking and repairing.
Display screen shows E3	Ceramic inner pot inside cook with not enough water	Wait for the ceramic inner pot to cool down before adding food and water before cooking.
	Appliance malfunction	Please contact <b>Shun Hing Electric Service Centre Ltd.</b> for Checking and repairing.

## 8. Special Avowal

1. The information above has been checked; our company reserves the hermeneutic power to any print errors or misunderstanding on the content.
2. Please note that any technology improvement will be added to the new versions of operation manual without any prior notices. The product appearance and color are subject to the actual appliance.
3. In case there is any inconsistency or conflict between the English version and Chinese version, the Chinese version shall prevail.
4. E-copy of operation manual can be sent by e-mail on request, please call **Shun Hing Electric Works and Engineering Co., Ltd** at 2861 2767.

## 9. After Sales Service

1. For any defect, in the judgement of technician from **Shun Hing Electric Service Centre Ltd.**, caused under normal use, our company is responsible for repairing or replacing parts of the said electrical appliance free of charge within one year guarantee period commencing from the date of purchase. Any defect part which has been replaced shall become our property. Guarantee service does not cover the repair or replacement of consumable parts etc.
2. User must present the official invoice/redemption voucher and the product warranty card with the chop from sales point/redemption center for maintenance. For enquiries, please call **Shun Hing Electric Service Centre Ltd.** hotline at 2406 5666.





SHUN HING GROUP  
信興集團  
SINCE 1953

**Rasonic 樂信牌**

信興電工工程有限公司

**SHUN HING ELECTRIC WORKS AND ENGINEERING CO., LTD.**

辦公室：香港九龍尖沙咀東部麼地道 67 號半島中心 9 樓

電話：2861 2767

圖文傳真：2865 6706

網址：<http://www.rasonic.com>

電郵：[shew@shunhinggroup.com](mailto:shew@shunhinggroup.com)

Office: 9/F, Peninsula Centre, 67 Mody Road, Tsimshatsui East, Kowloon, Hong Kong

Tel: 2861 2767

Fax: 2865 6706

Website: <http://www.rasonic.com>

E-mail: [shew@shunhinggroup.com](mailto:shew@shunhinggroup.com)

**保養及維修 Maintenance and Repair Service:**

信興電器服務中心有限公司

**SHUN HING ELECTRIC SERVICE CENTRE LTD.**

香港新界葵涌勝耀街 2 號信興中心 11 樓

電話：2406 5666

圖文傳真：2408 0316

網址：<https://www.shunhing-service.com/zh>

11/F, Shun Hing Centre, 2 Shing Yiu Street, Kwai Chung, N.T. HK

Tel: 2406 5666

Fax: 2408 0316

Website: <https://www.shunhing-service.com/en>

客戶服務中心：

香港新界葵涌勝耀街2號信興中心1樓

九龍尖沙咀東部麼地道67號半島中心B座9樓

香港天后琉璃街7號柏景中心22樓

澳門慕拉士大馬路193-199號南嶺工業大廈5樓I座

Customer Service Centre

1/F, Shun Hing Centre, 2 Shing Yiu Street, Kwai Chung, N.T.

9/F., Block B, Peninsula Centre, 67 Mody Road, Tsim Sha Tsui East, Kowloon

22/F, Parkview Centre, 7 Lau Li Street, Tin Hau, Hong Kong

Avenida de Venceslau de Morais, No. 193-199, 5 andar - I, Edf. Industrial Nam Leng, Macau

有關最新之香港及澳門客戶服務中心資料，請參閱信興服務中心網址：

<https://www.shunhing-service.com/zh>

For the latest information of Hong Kong and Macau service center, please visit:

<https://www.shunhing-service.com/en>

RRC-T0624